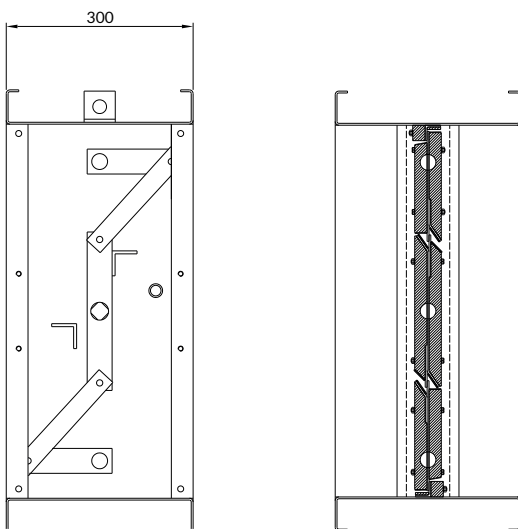
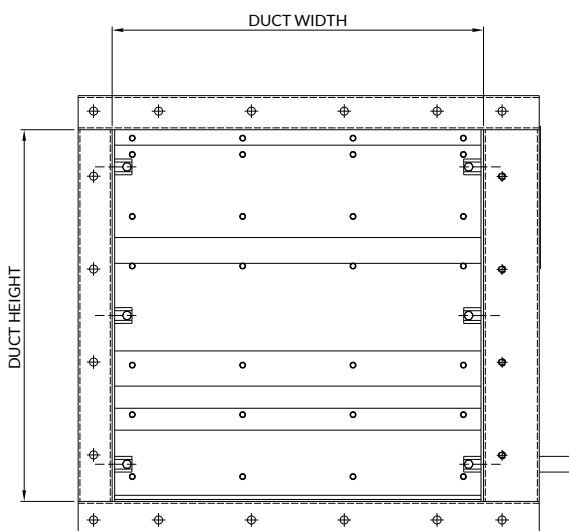


Description

The type FD02RS Fire damper has been designed for building into walls, floors or bolting or welding to steel bulkheads. The damper has been successfully tested in accordance with The Russian Foreign Activity Commodity Classification Code (TN VED Code): 7322 90 900 0. To ease installation these dampers can be supplied with pre insulated controls, and are designed to be suitable for mounting in any attitude with the airflow in either direction.



End Elevation



Elevation

Specification

Casing

The damper casing is formed from 3.0 mm thick sheet steel into a rigid channel section to ensure proper alignment of blades and shafts. Damper Units in excess of 1000 mm width or height shall be manufactured as a multiple assembly. Where circular dampers or dampers with width or height dimensions less than 100 mm are required, additional spigot adaptors are used which increase the damper insertion length from 300 to 400 mm.

Blades

The blades are a single skin flat plate blade section of 3.0 mm sheet metal. Blade stops at the top and bottom of the casing and sprung side seals provide excellent low leakage characteristics.

Insulation

Each blade is insulated with ceramic panels and expandable intumescent strips for retaining the integrity of the damper during fire situation.

Shafts

Stub shafts \varnothing 25 mm with blades bolted at each end.

Linkage

Opposed action linkage consisting of drive levers and bosses connected by flat bar link bars, driven through stainless steel bolts. All linkage is contained within the depth of the damper casing.

Bearings

Zeron 100 flanged bushes.

Operation

Manual Reset Mechanism, Pneumatic Actuator, Electric Actuator, Solenoid Release.

Options

- Materials can be 304 or 316 stainless steel.
- Earth continuity bosses.
- Lifting lugs.
- Integral or removable enclosures for housing control equipment.
- Other variations to suit clients' specific requirements are also available.

GOST Certified Fire Damper FD-02RS

Installation & Assembly

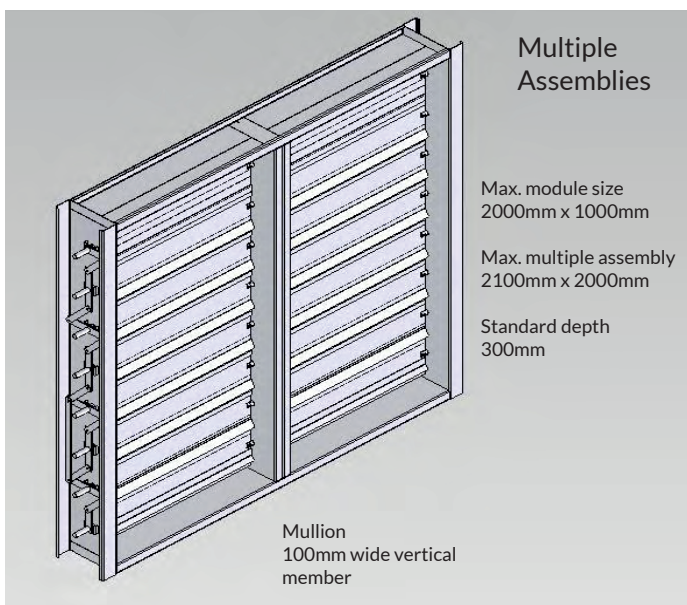
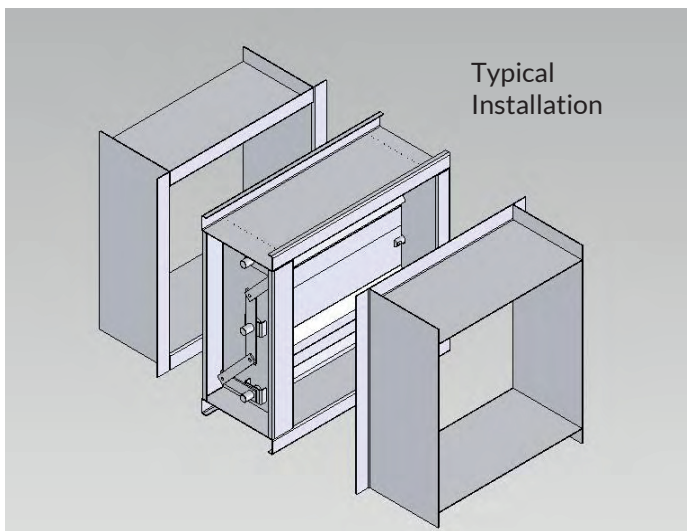
Note:

Larger dampers can be constructed by joining multiple assemblies together.

An approved fire-resistant sealant should be inserted between the damper and duct to ensure a good seal.

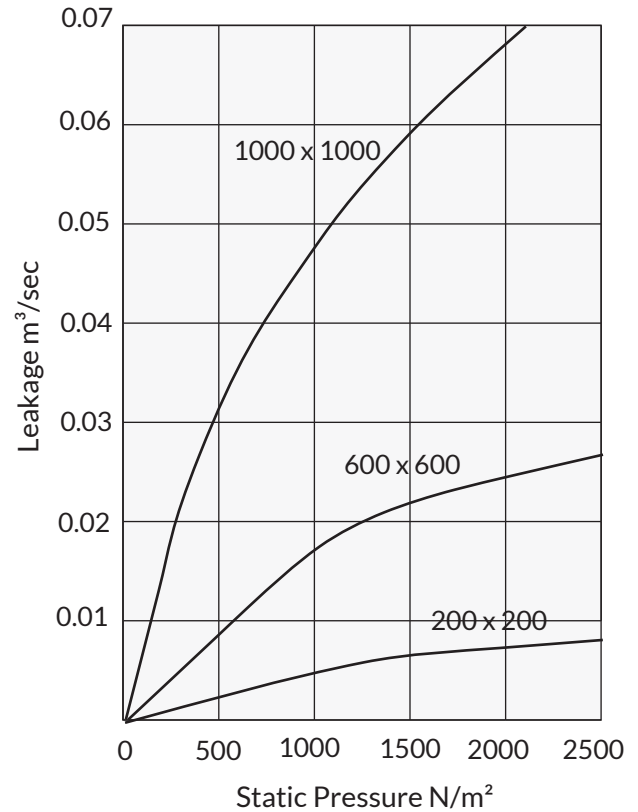
Note:

Each section shall have a drive spindle which can be linked together externally or driven independently.



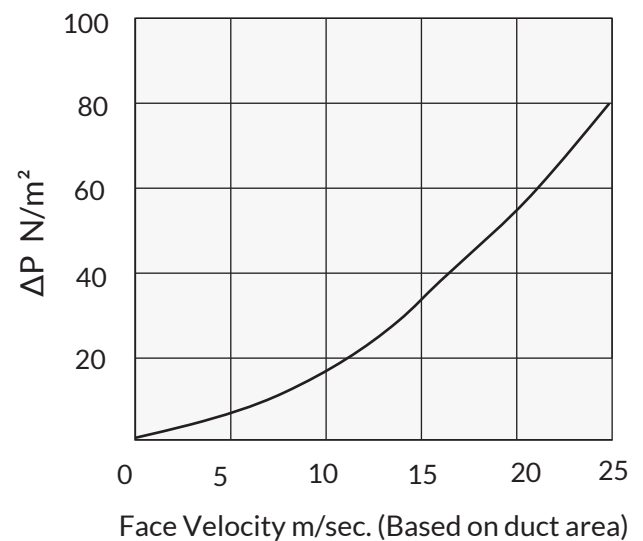
Leakage Characteristic Curve

Tolerance $\pm 15\%$



Open Pressure Drop Characteristic Curve

Tolerance $\pm 15\%$



Flamgard-Calidair Engineering Limited,
Unit 2-4 Gemini Works, Estate Road,
Pontnewynydd, Pontypool, NP4 6YW,
Wales, United Kingdom

Tel: (+44) 01495 757 347
Fax: (+44) 01495 755 443

sales@flamgard.co.uk
www.flamgard.co.uk