

## Description

The type CBD-02C Circular Backdraught Damper has been designed to give maximum shut-off under back-flow conditions and is suitable for fitting with the air flow in one direction only. The dampers may be installed vertically or horizontally with the air flow upwards.

## Specification

### Casing

The damper casing is formed from 3.0 mm thick sheet steel into a rigid drum, stiffened at either end with flange rings to ensure proper alignment of the blade and shaft.

### Blades

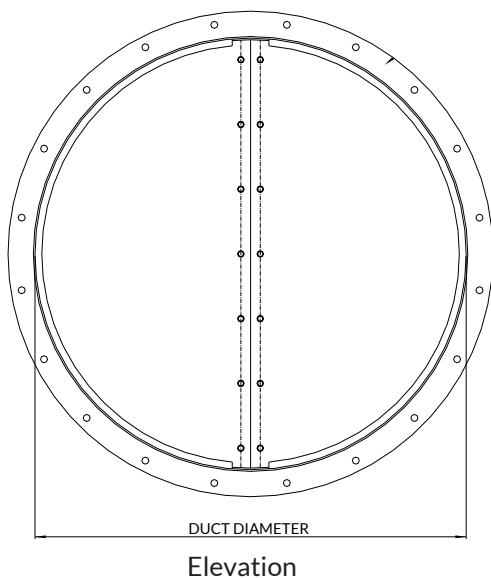
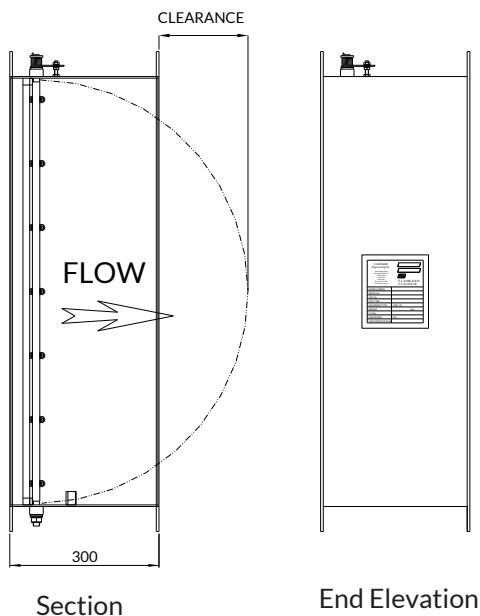
The blades are a formed single-skin of 1.2 mm sheet steel and close against stops welded round the inside of the casing. The blades are bolted to the square shafts.

### Shafts

Continuous shafts 12.7 mm square.

### Bearings

Phosphor bronze self lubricated 'Oilite' flanged bushes.



## Options

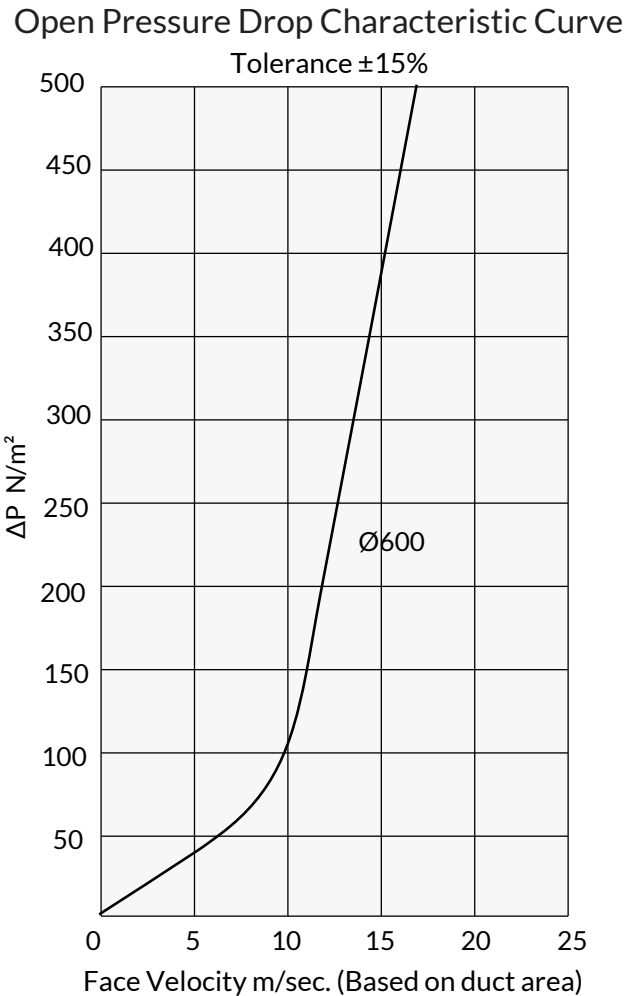
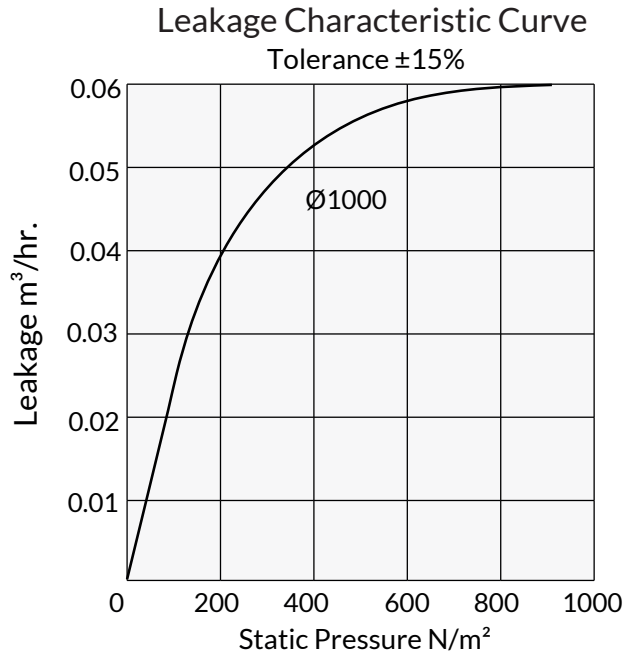
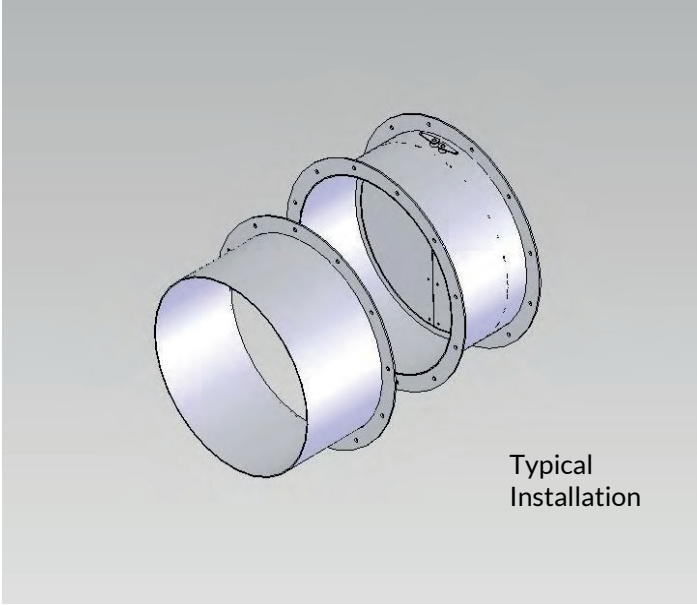
- Materials can be stainless steel, galvanized mild steel or other materials to suit the clients' specific requirements.
- Earth continuity bosses.
- Lifting lugs.
- Flame retardant PVC blade seals.
- High temperature bearings.
- Shaft seals to provide airtight casings.
- Other variations to suit clients' specific requirements are also available.

# Circular Backdraught Damper

CBD-02C

## Installation & Assembly

An approved sealant should be inserted between the damper and duct flange to ensure a good seal.



Flamgard-Calidair Engineering Limited,  
Unit 2-4 Gemini Works, Estate Road,  
Pontnewynydd, Pontypool, NP4 6YW,  
Wales, United Kingdom

Tel: (+44) 01495 757 347  
Fax: (+44) 01495 755 443

[sales@flamgard.co.uk](mailto:sales@flamgard.co.uk)  
[www.flamgard.co.uk](http://www.flamgard.co.uk)